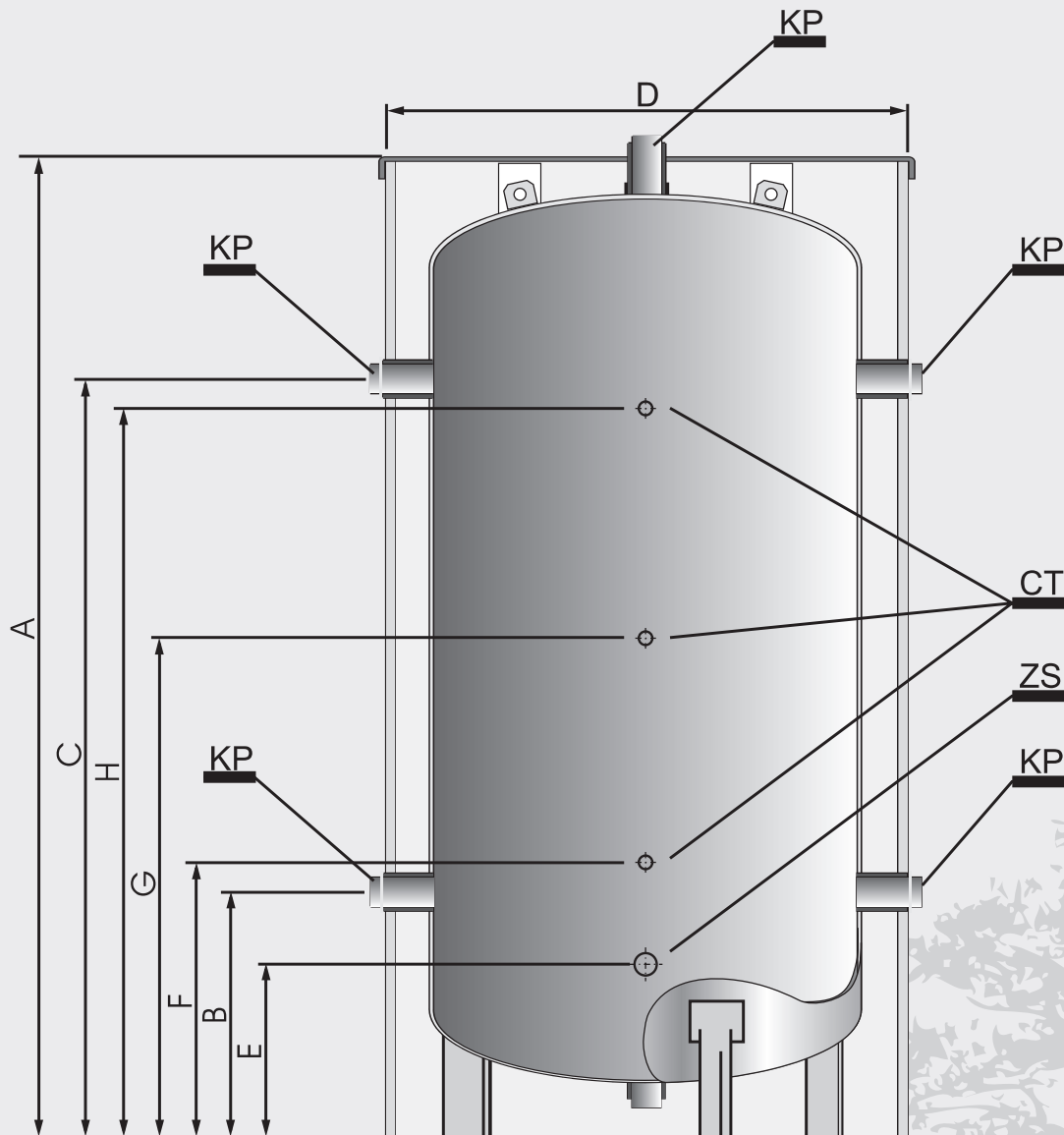




# WGJ-B 500, 2000 BUFFER TANK





# WGJ-B 500, 2000

## BUFFER TANK

Dimensions		Units (mm/")	WGJ-B 500	WGJ-B 800	WGJ-B 1000	WGJ-B 1500	WGJ-B 2000	
Catalogue number			069-05-000	069-08-000	069-10-000	069-15-000	069-20-000	
Capacity		dm <sup>3</sup>	500	800	1000	1500	2000	
A		mm	2080	2000	2090	2410	2160	
D		mm	810	1010	1110	1210	1410	
B		mm	390	465	510	535	545	
C		mm	1710	1555	1600	1875	1635	
E		mm	260	335	380	395	405	
F		mm	460	535	580	605	615	
G		mm	1050	1010	1055	1205	1090	
H		mm	1640	1485	1530	1805	1565	
Connection's probe	KP		1 ¼"	1 ½"	1 ½"	1 ½"	1 ½"	
Temperature sensor connection	CT		½"	½"	½"	½"	½"	
Water drain	ZS		¾"	¾"	¾"	¾"	¾"	
Thermal insulation			100mm soft polyurethane foam					
External cover			In a sky coat					
Weight		kg	120	150	190	285	375	

