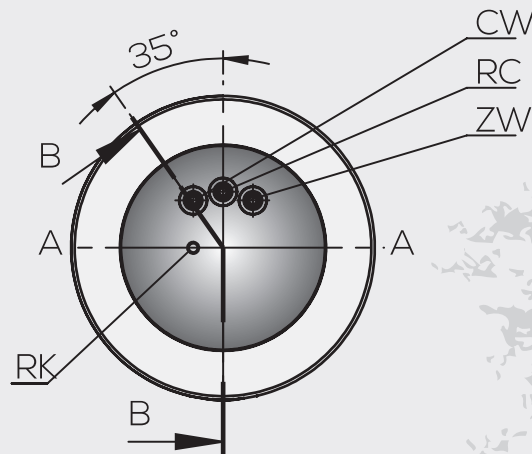
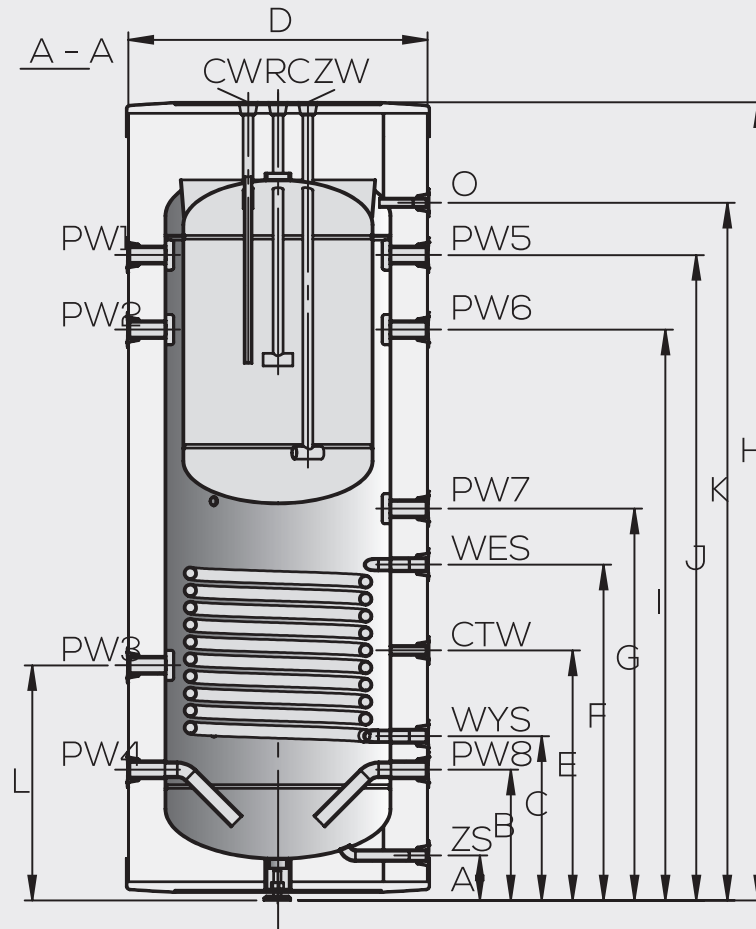




# WGJ-B MULTI BUFFER TANK





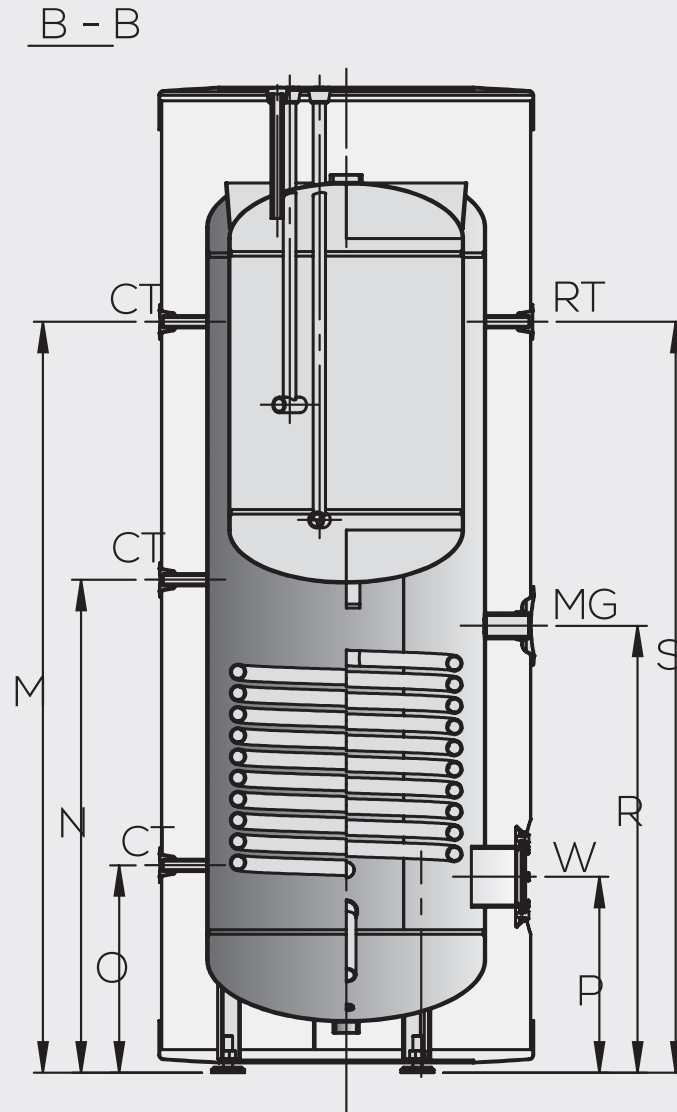
# WGJ-B MULTI BUFFER TANK

Dimensions			Units (mm/")	WGJ-B multi 300/80	WGJ-B multi 400/120	WGJ-B multi 500/160
Catalogue number				069-03-086	069-04-126	069-05-166
Height		H	mm	1865	1830	2140
Diameter		D	mm	660	815	815
<b>CW</b>	Cold utility water			3/4"	3/4"	3/4"
<b>ZW</b>	Warm utility water			3/4"	3/4"	3/4"
<b>RC</b>	Circulation			3/4"	3/4"	3/4"
<b>RK</b>	Capillary tube			1/2"	1/2"	1/2"
<b>PW1</b>	Heating water connection	J	mm	1525	1500	1730
<b>PW2</b>	Heating water connection	I	mm	1325	1320	1530
<b>PW3</b>	Heating water connection	L	mm	530	600	630
<b>PW4</b>	Heating water connection	B	mm	250	350	350
<b>PW5</b>	Heating water connection	J	mm	1525	1500	1730
<b>PW6</b>	Heating water connection	I	mm	1325	1320	1530
<b>PW7</b>	Heating water connection	G	mm	950	1050	1050
<b>PW8</b>	Heating water connection	B	mm	250	350	350
<b>WES</b>	Feeding of solar coil with heating	F	mm	800	900	900
<b>WYS</b>	Return of solar coil heating medium	C	mm	340	440	440
<b>o</b>	Air system	K	mm	1670	1640	1870
<b>CTW</b>	Temperature sensor fixing of solar pipe	E	mm	560	670	670
<b>CT</b>	Temperature sensor fixing	M	mm	1450	1415	1630
		N	mm	900	960	960
		O	mm	350	435	450
<b>RT</b>	Thermometer	S	mm	1450	1415	1630
<b>MG</b>	Heating element fixing	R	mm	900	970	970
<b>W</b>	Cleaning hole	P	mm	290	425	425
<b>ZS</b>	Drain	A	mm	60	120	120





# WGJ-B MULTI BUFFER TANK





# WGJ-B MULTI BUFFER TANK

Dimensions	Units (mm/")	WGJ-B multi 300/80	WGJ-B multi 400/120	WGJ-B multi 500/160
External tank capacity	dm <sup>3</sup>	300	400	500
Quantity of hot water in the tank	dm <sup>3</sup>	220	280	340
Internal tank capacity	dm <sup>3</sup>	80	120	160
Exchange surface inside the tank	m <sup>2</sup>	0,82	0,97	1,24
Heating capacity warm service water 70/10/45°C	dm <sup>3</sup> h	463	552	696
Constant power output 70/10/45 °C	kW	19,3	23	29
Solar coil surface	m <sup>2</sup>	1,4	1,6	1,6
Solar coil capacity	dm <sup>3</sup>	8,1	9,2	9,2
Absorber area recommended connecting solar panels	m <sup>2</sup>	5	7	10
External tank operating parameters		Maximum pressure and working temperature pr= 0,3 MPa; tr=90°C		
Internal tank operating parameters		Maximum pressure and working temperature pr= 0,6 MPa; tr=90°C		
Solar pipe operating parameters		Maximum pressure and working temperature pr= 0,6 MPa; tr=110°C		
Thermal insulation - polystyrene foam	mm	70	100	100
Magnesium anode	mm	Ø25 x 190	Ø25 x 260	Ø30 x 200
Weight	kg	160	215	250

