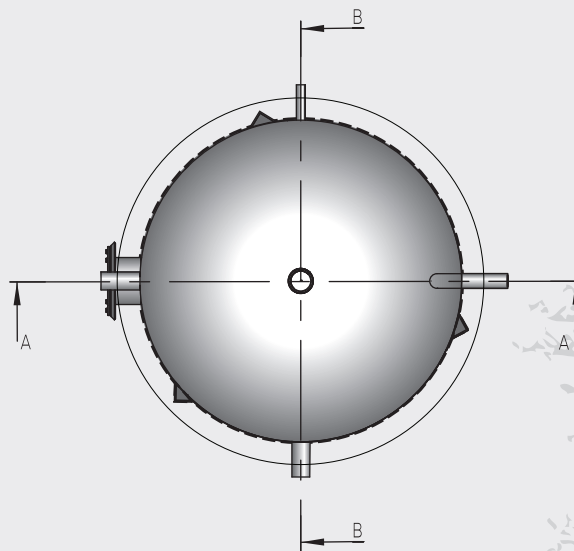
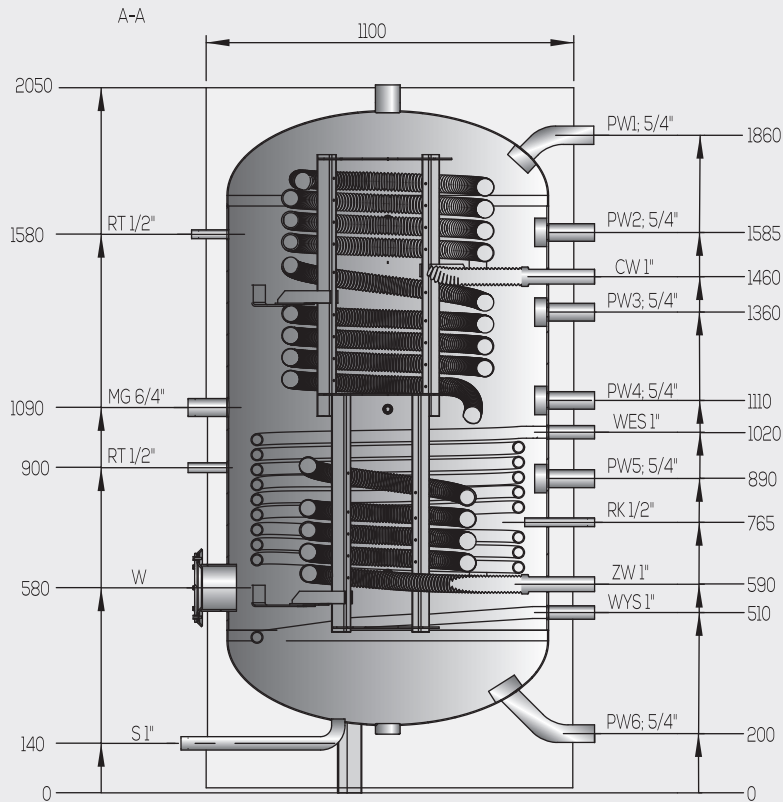




# WGJ-B INOX 1000 BUFFER TANK





# WGJ-B INOX 1000 BUFFER TANK

Dimensions	Units (mm/")	WGJ-B INOX 1000		
Catalogue number		069-10-506		
Water heater's capacity - heating water	dm <sup>3</sup>	910		
Coil pipe capacity - warm utility water	dm <sup>3</sup>	43		
Coil surface	m <sup>2</sup>	7,2		
Heating power of coil pipe	kW	16	24	36
Heating capacity warm service water 70/10/45 °C	l/h	390	590	880
Heating water flow	l/h	280	470	720
Heating capacity warm service water 70/10/60 °C	l/h	275	410	620
Heating water flow	l/h	330	650	1710
Solar coil pipe capacity	dm <sup>3</sup>	16,0		
Solar coil pipe surface	m <sup>2</sup>	2,8		
Maximum surface of absorber of connected solar collector	m <sup>2</sup>	12		
Tank operating parameters		Maximum pressure and working temperature pr= 0,3 MPa; tr=100°C		
Parameters of utility water		Maximum pressure and working temperature pr= 0,6 MPa; tr=95°C		
Parameters of solar installation		Maximum pressure and working temperature pr= 1,0 MPa; tr=140°C		
Thermal insulation		100mm polyurethane foam		
Permanent daily power losses	kWh/24h	3,5		
Type of external casing		In a sky coat		
Cleaning hole		123	166	195
Weight	kg	~ 270		





Palets  
Pla d'Urgell s.l.  
donem més vida a la fusta



www.paletspladurgell.cat



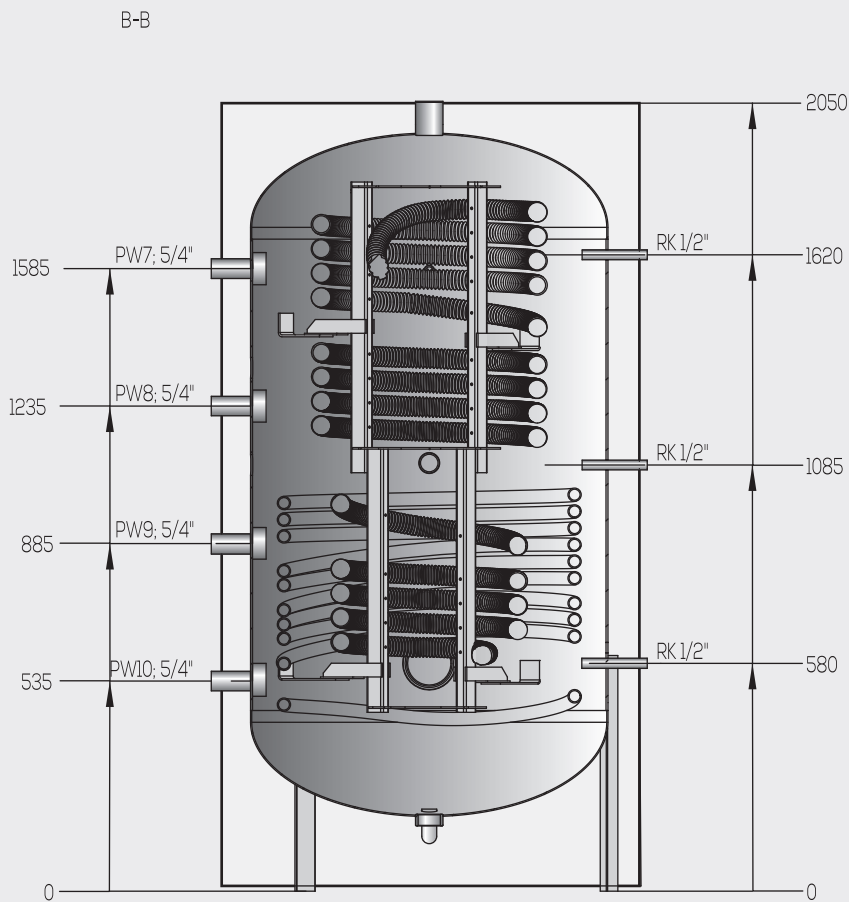
973 580 475



info@paletspladurgell.cat



# WGJ-B INOX 1000 BUFFER TANK



Palets Pla d'Urgell. Crta. de Bellpuig s/n,  
25260 Ivars d'Urgell - Lleida

Manufactured by:

**ELEKTROMET**®

ELEKTROMET reserves the  
right to make technical  
changes